

ITA-3650T

Intel 6th & 7th Generation Desktop Processor Fanless System with AI Acceleration module

NEW



Features

- Intel 6th & 7th Generation Desktop Processor with C236 PCH
- On board 16GB DDR4, max to 32GB with SO-DIMM and optional NVRAM
- Supports 2 x VGEA-330 or 2 x MLU220 for AI acceleration module
- Supports 2 x GbE, 6 x USB, 2 x COM ports
- Supports 2 x 2.5" storage bay & 1 x MSATA
- Supports wide temperature -25 ~ 40 °C
- Supports 9 ~ 36V wide range DC input
- No RED Certification

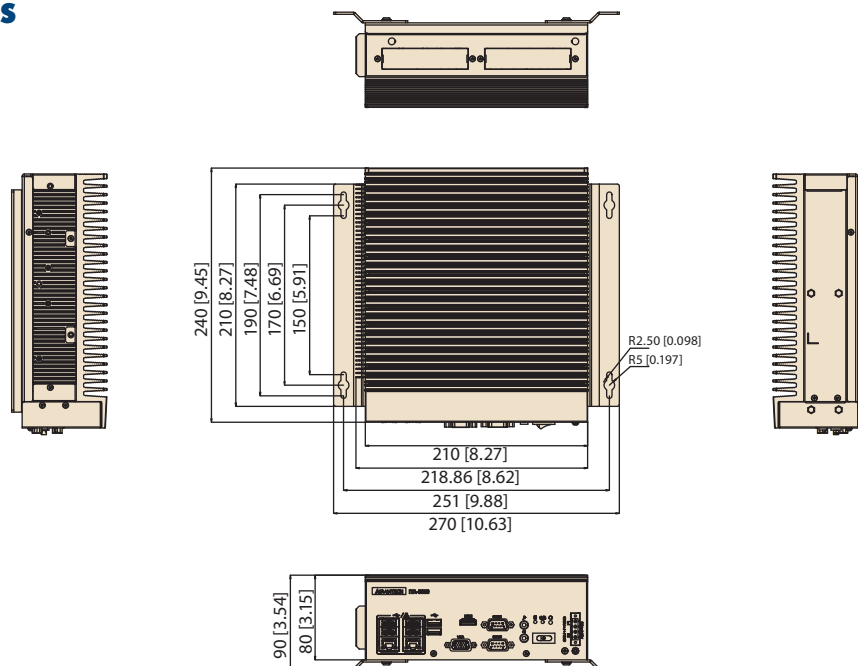


Specifications

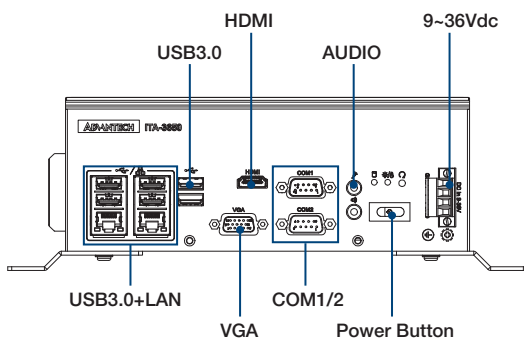
Processor System	CPU	G3900TE	G4400TE	i3-6100TE	i5-6500TE	i7-6700TE	i3-6100	i5-6500	i7-6700
	Processor Base Frequency	2.30 GHz	2.40 GHz	2.70 GHz	2.30 GHz	2.40 GHz	3.70 GHz	3.20 GHz	3.40 GHz
	L2 Cache	2M	3M	4M	6M	8M	3M	6M	8M
	Core Number	2	2	2	4	4	2	4	4
	TDP	35W	35W	35W	35W	35W	51W	65W	65W
	Chipset	C236							
Processor System	CPU	G3930TE	i3-7101TE	i5-7500T	i7-7700T	i3-7101E	i5-7500	i7-7700	
	Processor Base Frequency	2.70 GHz	3.40 GHz	2.70 GHz	2.9 GHz	3.90 GHz	3.40 GHz	3.60 GHz	
	L2 Cache	2M	3M	6M	8M	3M	6M	8M	
	Core Number	2	2	4	4	2	4	4	
	TDP	35W	35W	35W	35W	54W	65W	65W	
	Chipset	C236							
Memory	Technology	Dual-channel DDR4 2133 MHz (without ECC)							
	Capacity	On board 16GB DDR4, max to 32GB with SO-DIMM							
Graphics	Controller	Intel® HD Graphics 630/610/530/510							
	VGA	1 x DB15, max resolution up to 1920 x 1080 @ 60Hz							
	HDMI	1 x HDMI, support HDMI1.4 standard, max to 3840 x 2160 @ 30Hz							
	DP	Box Header on board							
	Display Option	Dual Display: VGA+HDMI							
Ethernet	Interface	10/100/1000 Mbps							
	Controller	1 x Intel® I210; 1 x IWG1219LM							
	Connector	2 x RJ-45							
Storage	Internal	1 x mSATA socket							
	External	2 x 2.5" storage bay							
I/O	Main Display	VGA							
	Second Display	HDMI							
	SATA	2 x SATA							
	USB	6 x USB3.0							
	LAN	2 x RJ45							
	Serial Port	2 x DB9 (RS232/422/485 with automatic flow control)							
	Audio	1 x Speaker out with 8W amplifier, 1 x Mic-in							
Expansion Slot	Mini PCIe / M.2	1 x Mini PCIe & SIM slot; 2 x Mini PCIe or 2 x Mini PCIe for VEGA-330(Intel Myriad X) or 2 x M.2 2280 for MLU220(Cambrian)							
	Power	Input Voltage	9 ~ 36V DC						
Watchdog Timer	Output	System reset							
	Interval	Programmable 1~255 sec/min							
Environment	Operating Temperature	Industry SSD: -25 ~ 40 °C with 0.7m/s air flow for ITA-3650T-00A1; -25 ~ 40 °C for ITA-3650T-01A1(support 35W CPU)							
	Storage Temperature	-40 ~ 85 °C							
Mechanical Features	Dimension (W x H x D)	210 x 80 x 240 mm							
	Install	Wall mount bracket							
Certifications	EMC	CE/FCC, CCC, BSMI							
	Safety	UL, CCC, BSMI							
OS	Windows	Windows 7 & 10 for Skylake; Windows 10 for Kabylake							
	Linux	ubuntu & Fedora							

Dimensions

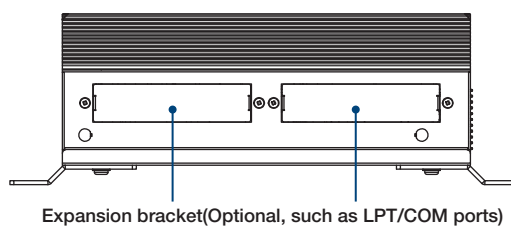
Unit: mm [inch]



Front View



Rear View



Ordering Information

Part Number	Onboard Memory	VGA	HDMI	USB3.0	LAN	COM	SATA	MSATA	Acceleration Module Support
ITA-3650T-00A1	16GB	1	1	6	2	2	2	1	2 x VEGA-330
ITA-3650T-01A1	16GB	1	1	6	2	2	2	1	2 x MLU220 (only for China)

Packing List

Part No.	Description
-	ITA-3650
1960090661N001	2 x Supporting-angels
1652003234	1 x 4-pin Terminal Block

Optional Accessory

Part No.	Description
96PSA-A230W24P4-3	ADP A/D 100-240V 230W 24V C14 TERMINAL BLOCK 4P
96PSA-A150W19P4-3	ADP A/D 100-240V 150W 19V C14 TERMINAL BLOCK 4P
1702002600	Power Cord UL 3P 10A 125V 183cm
1702002605-01	Power Cord EU 3P 10A 250V 183cm
1702031801	Power Cord BSI 3P 10A 250V 183cm
1700000596-11	Power Cord CCC 3P 10A 250V 183cm

For sales inquiries or additional information, please contact us at transportation@advantech.com.tw