

# PPC-6171C

## 17" Configurable Panel PC Chassis for Selectable Mini-ITX Motherboards



### Features

- 17" true-flat panel PC with resistive touch
- Supports certified mini-ITX motherboards (up to 65W TDP processor)
- PCI or PCIe expansion slots
- Front-facing power status LED indicators
- IP65-rated front panel
- Optional VESA mount module



### Specifications

Model	PPC-6171C-RTAE		PPC-6171C-RMAE	
Supported Motherboard	PPC-MB-8260AE		<ul style="list-style-type: none"> <li>▪ AIMB-275</li> <li>▪ AIMB-226</li> </ul>	
Chassis	Storage	1 x 2.5" SATA HDD bay	2 x 2.5" SATA HDD bay	
	I/O	4 x Reserved ports (DB9) 2 x WLAN antenna holes		
		1 x AC inlet 1 x Power switch Reserved opening: According to the PPC-MB-8260AE motherboard specifications	1 x AC inlet 1 x Power switch 1 x DP (input, for connecting the motherboard and LVDS panel) 1 x USB 2.0 (input, for connecting the motherboard and touch controller) Reserved opening: According to the motherboard specifications	
	Expansion	1 x PCIe x4 or 2 x PCI (in the accessory box) 2 x PCIe x1 (optional) 1 x PCIe x1 + 1 x PCI (optional)	1 x PCIe x4 or 1 x PCI (in the accessory box)	
	Speaker	2 x 1 W	2 x 1 W (optional)	
	Fan	2 x 12V; 60 x 60 x 15 mm (2.36 x 2.36 x 0.59 in)		
Physical Characteristics	Dimensions (W x H x D)	437 x 357 x 107.6 mm (17.2 x 14.06 x 4.2 in)		
	Weight	5.4 kg (11.9 lb)		
OS Support	OS Support	According to motherboard specifications		
	Input Voltage	100 ~ 240 V <sub>AC</sub> , 250W		
Power Consumption	Power Consumption	SKL: 95W (Burn-in test 7.0 in Windows 7, 64 bit) (with PPC-MB-8260AE) KBL: 125W (Burn-in test 8.1 in Windows 10, 64 bit) (with PPC-MB-8260AE)		
	Display Type	17" TFT LED panel		
LCD	Max. Resolution	1280 x 1024		
	Viewing Angle	80 (left), 80 (right), 60 (up), 80 (down)		
	Luminance (cd/m <sup>2</sup> )	350		
	Contrast Ratio	800		
	Backlight Lifetime	50,000 hr		
	Touchscreen	Touch Type	5-wire analog resistive, with optional projected capacitive touch	
Light Transmission		80+/-5%		
Controller		USB interface		
Durability		35 million touches		
Environment	Operating Temperature	w/o VESA mount module 0 ~ 50 °C (32 ~ 122 °F) (With SKL CPU) 0 ~ 45 °C (32 ~ 113 °F) (With KBL CPU)	with VESA mount module 0 ~ 45 °C (32 ~ 113 °F) (With SKL CPU) 0 ~ 40 °C (32 ~ 104 °F) (With KBL CPU)	0 ~ 50 °C (32 ~ 122 °F) 0 ~ 45 °C (32 ~ 113 °F) with VESA mount module
		*** please refer to the PPC-MB-8260AE CPU list		
	Storage Temperature	-30 ~ 60 °C (-22 ~ 140 °F)		
	Relative Humidity	10 ~ 95% @ 40 °C (non-condensing)		
	Shock	Operating: 10 G peak acceleration (11 ms duration), IEC 60068-2-27 compliant		
	Vibration	Operating: Random vibration test 5 ~ 500 Hz, 1 Grms @ with HDD, IEC 60068-2-64 compliant		
	EMC	BSMI,CE,FCC,Class A		CE,FCC,Class A
	Safety	BSMI,CB,CCC,UL		CB,CCC,UL
	Front Panel Protection	IP65 compliant		

## Motherboard Specifications

### PPC-MB-8260AE (For PPC-6171C-RTAE only)

CPU	CPU	KBL	i7-7700	i5-7500	i3-7101E	/	/
		SKL	i7-6700TE	i5-6500TE	i3-6100TE	Pentium G4400TE	Celeron G3900TE
	Core NO.		Quad Core	Quad Core	Dual Core	Dual Core	Dual Core
	MAX Speed	KBL	3.6GHz (up to 4.2GHz)	3.4GHz (up to 3.8GHz)	3.9GHz	/	/
		SKL	2.4GHz (up to 3.4GHz)	2.3GHz (up to 3.3GHz)	2.7GHz	2.4GHz	2.3GHz
	L3 Cache	KBL	8M	6M	4M	/	/
SKL				3M	3M	2M	
TDP	KBL	65W	65W	54W	/	/	
	SKL	35W	35W	35W	35W	35W	
Chipset	H110						
Memory	1 x 260-pin SODIMM DDR4, 2133 MHz, up to 16 GB (non-ECC)						
Network (LAN)	2 x 10/100/1000 Mbps Ethernet and 2 x Intel® I211						
Rear I/O	1 x RS232/422/485, 1 x RS232, 1 x DP1.2, 1 x VGA, 4 x USB3.0, 1 x Line-out, 1 x Mic-in						
Internal Connector	3 x RS232, 1 x GPIO (8 channels), 1 x speaker, 1 x LED, 2 x USB 2.0, 1 x LVDS, 1 x touch control, 2 x SATA						
Watchdog Timer	255 timer intervals, configurable using software						
Expansion	1 x full-size mSATA or mini PCIe and 1 x PCIe x4 slot for riser card						
Dimensions (W x H)	170 x 170 mm (6.69 x 6.69")						
OS Support	Microsoft® Windows 7 (32/64-bit), Windows 8.1/10 (64-bit), Linux (**KBL CPU only support windows 10 64bit)						

## Ordering Information

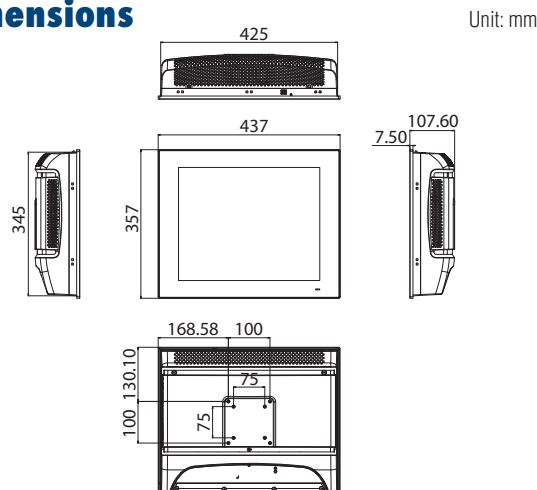
M/B Part Number	Chassis Part Number	Cooler Part Number
PPC-MB-8260AE	PPC-6171C-RTAE	1960053207N001
PPC-MB-8260AU (for U.S. only)	PPC-6171C-RTAU (for U.S. only)	1960053207N001
AIMB-275	PPC-6171C-RMAE	1960053207N001
AIMB-226	PPC-6171C-RMAE	1960061914N001

Note 1. The motherboard, chassis, and cooler should be ordered together to ensure easy configuration.  
 Note 2. The chassis is equipped with AC power supply and riser cards.

## Optional Accessories

Part Number	Description
PPC-WLAN-C1E	Wi-Fi module with antenna cable (40 cm) for PPC
1702002605	Power cable (EU) 90D 220 - 250V/6A, 1.8 M
1702002600	Power cable (US) 180D 125V/10A, 1.83 M
1702031801	Power cable (UK), 1.8 M
96CB-POWER-B-1.8MA	Power cable (China), 1.8 M
PPC-6171C-VESAE	VESA module for PPC-6171C (operating temperature 0 ~ 45 °C)
9893BE0200E	PPC-61X1C-RTAE riser card with 2 x PCIe x1 slots
9893BE03000	PPC-61X1C-RTAE riser card with 1 x PCIe x1 and 1 x PCI slots
PPC-ARM-A03	ARM VESA Standard (A-CLEVER) for PPC series (for VESA mount version only)
PPC-174T-WL-MTE	Wall mount kit for PPC series (for VESA mount version only)
PPC-Stand-A1E	Stand for PPC series (for VESA mount version only)
1700027838-01	Cable for two internal USB for PPC-MB-8260AE with I/O BKT

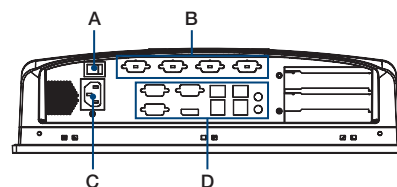
## Dimensions



Optional kit for VESA mounting using M4 8-mm screws  
 Panel Cutout Dimensions: 427 x 347 mm (16.81 x 13.66 in)

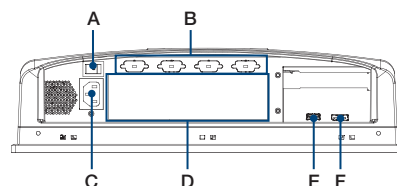
## I/O View

### PPC-6171C-RTAE



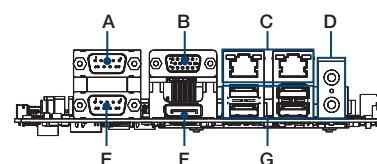
- A. Power switch
- B. Reserved ports
- C. AC inlet
- D. PPC-MB-8260AE I/O port

### PPC-6171C-RMAE



- A. Power switch
- B. Reserved ports
- C. AC inlet
- D. Mini-ITX motherboard I/O port
- E. USB 2.0 (input, for connecting the motherboard and touch controller)
- F. Display port (input, for connecting the motherboard and LVDS panel)

### PPC-MB-8260AE



- A. RS232
- B. VGA
- C. 2 x Gigabit Ethernet
- D. Line-out/Mic-in
- E. RS232/422/485
- F. Display Port
- G. USB 3.0